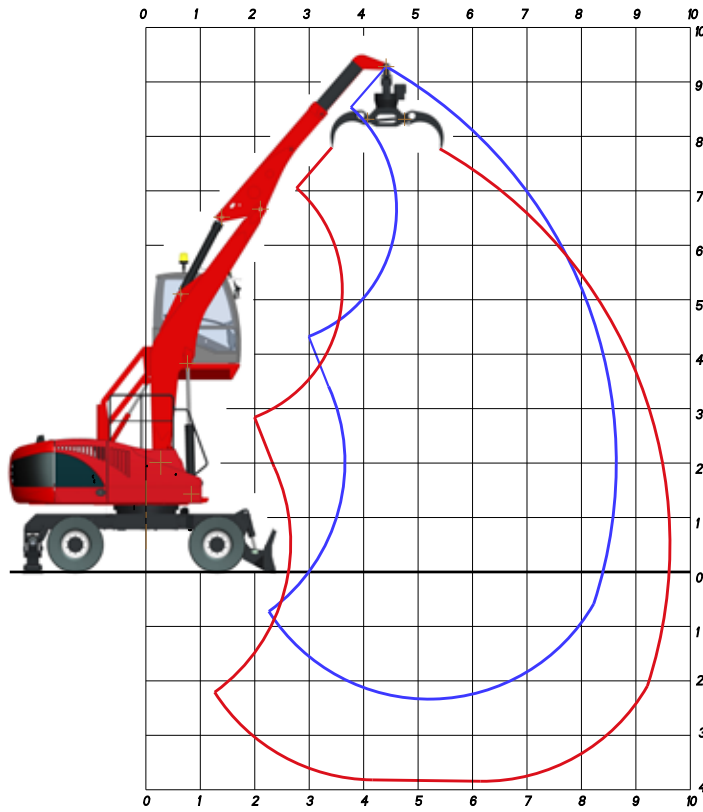


**Solmec**

**60<sup>TH</sup>**  
1960  
2020



**EXP 5025**  
**STAGE V**



**AF8:**  
Gooseneck boom  
5,00 m

**Industrial stick**  
3,50 m

**AT8**  
Telescopic stick  
2,50 m - 3,50 m

**OPERATING WEIGHT:**  
  
**23.500 kg**

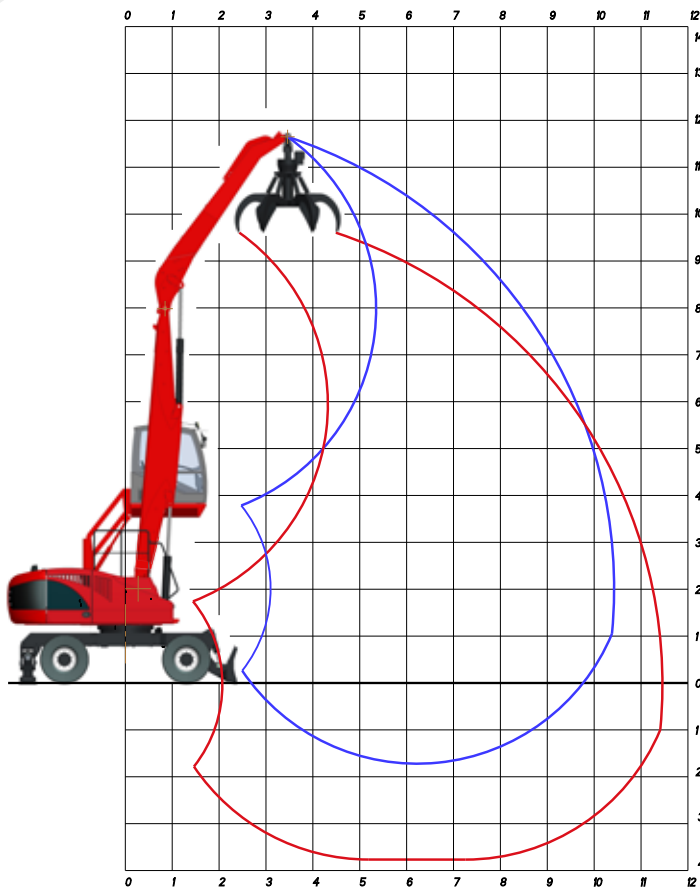
OPERATING WEIGHT WITH FRONT BLADE,  
REAR OUTRIGGERS, FULL RUBBER TYRES,  
GOOSENECK BOOM 5,00 m,  
TELESCOPIC STICK,  
R50/604 LOGS GRAB WITH ROTATOR.

## LIFTING CAPACITIES TONS

LIFTING RANGE (m)

HEIGHT METRES	CONF.	4,0			5,5			7,0			8,30		
		↗	○	⊙	↗	○	⊙	↗	○	⊙	↗	○	⊙
6,0	○○				5,40*	5,40*	4,14						
	┌┐				5,40*	5,40*	4,70						
	└└				5,40*	5,40*	4,70						
4,5	○○				5,07*	5,07*	4,13	4,90*	3,76	2,82			
	┌┐				5,07*	5,07*	4,41	4,90*	4,90*	4,26			
	└└				5,07*	5,07*	4,41	4,90*	4,90*	4,26			
3,0	○○	6,51*	6,51*	5,66	4,92*	4,92*	4,00	4,95*	3,70	2,78			
	┌┐	6,51*	6,51*	5,66	4,92*	4,92*	4,28	4,95*	4,95*	4,31			
	└└	6,51*	6,51*	5,66	4,92*	4,92*	4,28	4,95*	4,95*	4,31			
1,5	○○	5,29*	5,29*	4,60	6,04*	5,06	3,79	5,06	3,58	2,69			
	┌┐	5,29*	5,29*	4,60	6,04*	6,04*	5,26	5,16*	5,16*	4,49			
	└└	5,29*	5,29*	4,60	6,04*	6,04*	5,26	5,16*	5,16*	4,49			
0,0	○○	9,21*	7,33	5,50	6,70*	6,70*	3,58	4,92	3,45	2,59	3,81	2,67	2,00
	┌┐	9,21*	9,21*	8,01	6,70*	6,70*	5,83	5,36*	5,36*	4,58	4,42*	4,42*	3,53
	└└	9,21*	9,21*	8,01	6,70*	6,70*	5,83	5,36*	5,36*	4,67	4,42*	4,42*	3,85
-1,5	○○	9,69*	6,94	5,21	6,67	4,57	3,43	4,81	3,34	2,51			
	┌┐	9,69*	9,69*	8,43	6,96*	6,96*	6,05	5,38*	5,38*	4,49			
	└└	9,69*	9,69*	8,43	6,96*	6,96*	6,05	5,38*	5,38*	4,68			

↗ LIFTING CAPACITIES ON LONGITUDINAL AXIS    ○ LIFTING CAPACITIES ON 360° WITHOUT SAFETY FACTOR    ⊙ LIFTING CAPACITIES ON 360° ACCORDING WITH ISO 10567  
\* = HYDRAULIC LIMIT  
LIFTING CAPACITIES ARE ON HOOK WITHOUT GRABS, MACHINE STATIC, LEVEL SOLID GROUND, WITH AXLE LOCKED.



**DF10**  
Straight boom  
6,00 m

**Industrial stick**  
4,50 m

**OPERATING WEIGHT:**  
**24.900 kg**

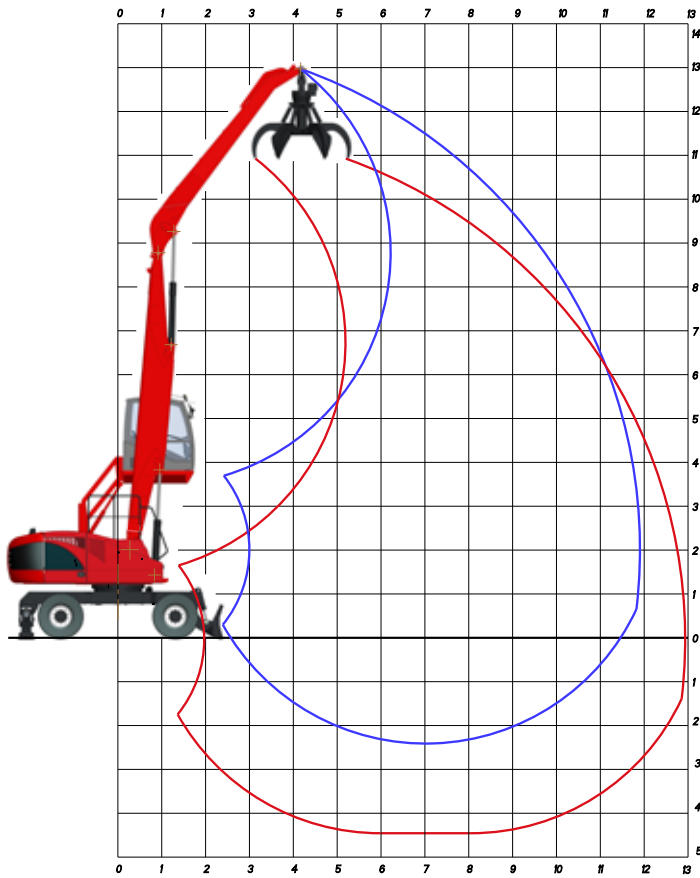
OPERATING WEIGHT WITH FRONT BLADE,  
REAR OUTRIGGERS, FULL RUBBER TYRES,  
STRAIGHT BOOM 6.00 M,  
INDUSTRIAL STICK 4.50 M,  
RV 500 ORANGE PEEL GRAB WITH ROTATOR

## LIFTING CAPACITIES TONS

LIFTING RANGE (m)

HEIGHT METRES	CONF.	3,5			5,0			6,5			8,0			9,5			10,1		
		↗	○	⊙	↗	○	⊙	↗	○	⊙	↗	○	⊙	↗	○	⊙	↗	○	⊙
9,0	○○							6,32	4,51	3,38									
	┆┆							6,43*	6,43*	5,60									
	┆┆							6,43*	6,43*	5,60									
7,5	○○							6,36	4,54	3,41	4,56	3,23	2,42						
	┆┆							7,39*	7,39*	5,87	5,97*	5,62	4,21						
	┆┆							7,39*	7,39*	6,43	5,97*	5,97*	5,19						
6,0	○○				8,38*	6,66	5,00	6,26	4,45	3,34	4,54	3,20	2,40						
	┆┆				8,38*	8,38*	7,29	7,68*	7,68*	5,79	6,63*	5,59	4,19						
	┆┆				8,38*	8,38*	7,29	7,68*	7,68*	6,68	6,63*	6,63*	5,39						
4,5	○○				9,02	6,30	4,73	6,07	4,27	3,20	4,44	3,10	2,33	3,41	2,35	1,77			
	┆┆				9,88*	9,88*	8,50	8,02*	7,53	5,64	6,73*	5,49	4,11	5,67*	4,23	3,17			
	┆┆				9,88*	9,88*	8,60	8,02*	8,02*	6,98	6,73*	6,73*	5,31	5,67*	5,46	4,09			
3,0	○○	14,80	9,67	7,26	8,50	5,82	4,37	5,80	4,02	3,02	4,30	2,98	2,23	3,35	2,30	1,72			
	┆┆	15,5*	15,5*	13,49	10,81*	10,77	8,08	8,38*	7,24	5,43	6,82*	5,34	4,01	5,59*	4,16	3,12			
	┆┆	15,5*	15,5*	13,49	10,81*	10,81*	9,40	8,38*	8,38*	7,09	6,82*	6,82*	5,20	5,59*	5,39	4,04			
1,5	○○	8,00*	8,00*	6,38	7,96	5,34	4,00	5,54	3,78	2,83	4,16	2,84	2,13	3,28	2,23	1,67	3,02	2,05	1,54
	┆┆	8,00*	8,00*	6,96	11,31*	10,19	7,64	8,53*	6,97	5,22	6,75*	5,20	3,90	5,33*	4,09	3,07	4,74*	3,78	2,83
	┆┆	8,00*	8,00*	6,96	11,31*	11,31*	9,84	8,53*	8,53*	6,87	6,75*	6,75*	5,08	5,33*	5,32	3,99	4,74*	4,74*	3,68
0	○○	5,77*	5,77*	5,02	7,60	5,01	3,76	5,33	3,59	2,69	4,05	2,74	2,05	3,23	2,19	1,64			
	┆┆	5,77*	5,77*	5,02	10,83*	9,80	7,35	8,16*	6,75	5,06	6,32*	5,09	3,81	4,73*	4,05	3,03			
	┆┆	5,77*	5,77*	5,02	10,83*	10,83*	9,42	8,16*	8,16*	6,70	6,32*	6,32*	4,99	4,73*	4,73*	3,95			
-1,5	○○				7,45	4,87	3,65	5,23	3,49	2,62									
	┆┆				9,18*	9,18*	7,23	7,07*	6,64	4,98									
	┆┆				9,18*	9,18*	7,98	7,07*	7,07*	6,15									

↗ LIFTING CAPACITIES ON LONGITUDINAL AXIS ○ LIFTING CAPACITIES ON 360° WITHOUT SAFETY FACTOR ⊙ LIFTING CAPACITIES ON 360° ACCORDING WITH ISO 10567  
 \*= HYDRAULIC LIMIT  
 LIFTING CAPACITIES ARE ON HOOK WITHOUT GRABS, MACHINE STATIC, LEVEL SOLID GROUND, WITH AXLE LOCKED.



**DF12:**  
Straight boom  
6,80 m

Industrial stick  
5,30 m

**OPERATING WEIGHT:**

**25.400 kg**

OPERATING WEIGHT WITH FRONT BLADE,  
REAR OUTRIGGERS, FULL RUBBER TYRES,  
STRAIGHT BOOM 6,80 m,  
INDUSTRIAL STICK 5,30 m,  
RV 500 ORANGE PEEL GRAB WITH ROTATOR

## LIFTING CAPACITIES TONS

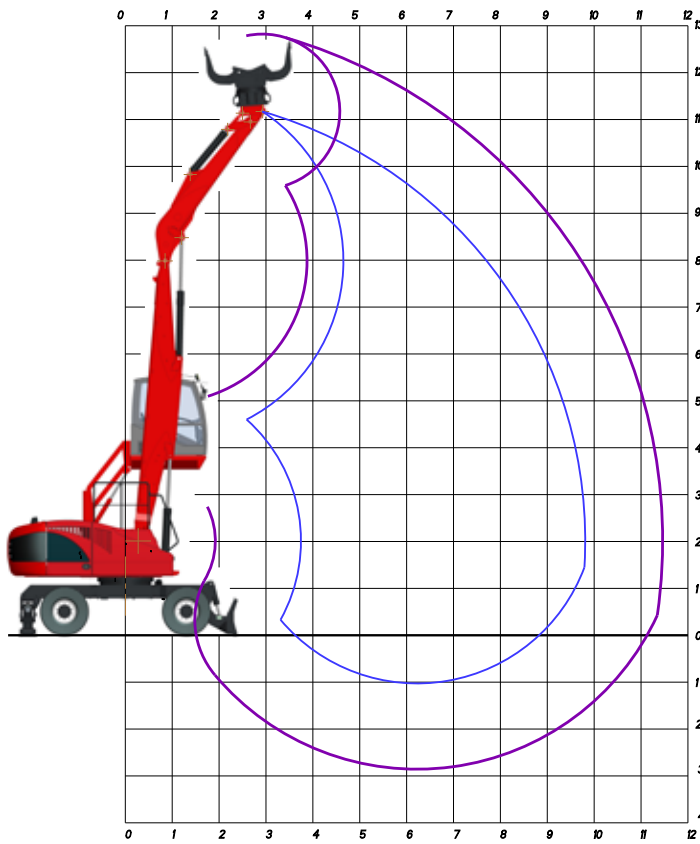
LIFTING RANGE (m)

HEIGHT METRES CONF.	3,5			5,0			6,5			8,0			9,5			11,0			11,7		
	↗	○	⊙	↗	○	⊙	↗	○	⊙	↗	○	⊙	↗	○	⊙	↗	○	⊙	↗	○	⊙
10,5 ○○ ┆┆ ┆┆							5,78*	4,75	3,56												
9,0 ○○ ┆┆ ┆┆							6,23*	4,78	3,59	4,77	3,41	2,56									
7,5 ○○ ┆┆ ┆┆							6,57	4,73	3,55	4,76	3,40	2,55	3,60	2,54	1,90						
6,0 ○○ ┆┆ ┆┆							6,43	4,60	3,45	4,67	3,32	2,49	3,56	2,50	1,87						
4,5 ○○ ┆┆ ┆┆				8,19*	6,43	4,82	6,16	4,35	3,26	4,52	3,18	2,38	3,48	2,42	1,82	2,77	1,89	1,42			
3,0 ○○ ┆┆ ┆┆	14,81	9,68	7,26	8,56	5,87	4,40	5,85	4,06	3,04	4,35	3,01	2,26	3,38	2,32	1,74	2,72	1,84	1,38			
1,5 ○○ ┆┆ ┆┆	4,54*	4,54*	3,95	7,95	5,30	3,98	5,52	3,75	2,82	4,16	2,84	2,13	3,28	2,22	1,67	2,67	1,79	1,34	2,46	1,64	1,23
0 ○○ ┆┆ ┆┆	3,57*	3,57*	3,11	11,14*	10,19	7,64	8,38*	6,95	5,21	6,72*	5,21	3,91	5,53*	4,10	3,07	4,50*	3,34	2,50	4,07*	3,08	2,31
-1,5 ○○ ┆┆ ┆┆	3,57*	3,57*	3,11	11,14*	11,14*	9,69	8,38*	8,38*	6,86	6,72*	6,72*	5,09	5,53*	5,32	3,99	4,50*	4,34	3,25	4,07*	4,00	3,00
	3,57*	3,57*	3,11	7,46	4,88	3,66	5,28	3,52	2,64	4,01	2,70	2,02	3,19	2,14	1,61	2,62	1,75	1,31			
	3,57*	3,57*	3,11	10,84*	9,65	7,23	8,24*	6,70	5,02	6,53*	5,05	3,79	5,26*	4,01	3,01	4,08*	3,29	2,47			
	3,57*	3,57*	3,11	10,84*	10,84*	9,43	8,24*	8,24*	6,66	6,53*	6,53*	4,97	5,26*	5,23	3,92	4,08*	4,08*	3,22			
				7,25	4,69	3,52	5,13	3,39	2,54	3,92	2,61	1,95	3,14	2,09	1,57						
				9,59*	9,43	7,07	7,51*	6,54	4,91	5,94	4,95	3,71	4,65*	3,95	2,96						
				9,59*	9,59*	8,35	7,51*	7,51*	6,53	5,94*	5,94*	4,89	4,65*	4,65*	3,88						

↗ LIFTING CAPACITIES ON LONGITUDINAL AXIS ○ LIFTING CAPACITIES ON 360° WITHOUT SAFETY FACTOR ⊙ LIFTING CAPACITIES ON 360° ACCORDING WITH ISO 10567

\*= HYDRAULIC LIMIT

LIFTING CAPACITIES ARE ON HOOK WITHOUT GRABS, MACHINE STATIC, LEVEL SOLID GROUND, WITH AXLE LOCKED.



**DS10:**  
Straight boom  
6,00 m

Selector arm  
3,80 m

**OPERATING WEIGHT:**  
24.000 kg

OPERATING WEIGHT WITH FRONT BLADE,  
REAR OUTRIGGERS, FULL RUBBER TYRES,  
STRAIGHT BOOM 6,00 m,  
SELECTOR ARM  
RS 500 SELECTOR GRAB WITH ROTATOR

## LIFTING CAPACITIES TONS

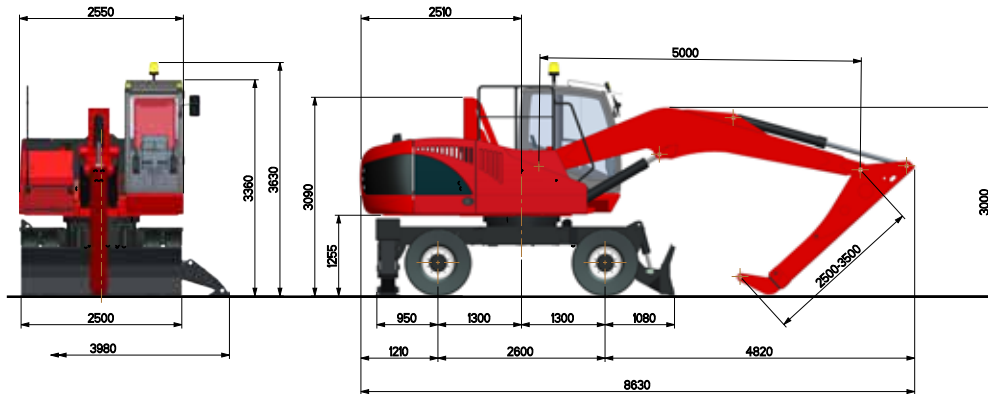
LIFTING RANGE (m)

HEIGHT METRES	CONF.	4,5			6,0			7,5			9,6		
		↗	○	⊙	↗	○	⊙	↗	○	⊙	↗	○	⊙
9,0	○○	6,81	4,83	3,62									
	┃┃	6,94*	6,94*	6,04									
	┃┃┃	6,94*	6,94*	6,04									
7,5	○○	6,86	4,88	3,66	4,80	3,39	2,54						
	┃┃	8,17*	8,17*	6,36	6,86*	5,93	4,44						
	┃┃┃	8,17*	8,17*	7,11	6,86*	6,86*	5,96						
6,0	○○	6,71	4,74	3,56	4,76	3,35	2,51						
	┃┃	8,42*	8,32	6,24	7,08*	5,88	4,41						
	┃┃┃	8,42*	8,42*	7,32	7,08*	7,08*	6,16						
4,5	○○	6,44	4,48	3,36	4,62	3,22	2,41	3,52	2,42	1,81			
	┃┃	8,95*	8,05	6,03	7,23*	5,74	4,30	5,98*	4,37	3,28			
	┃┃┃	8,95*	8,95*	7,79	7,23*	7,23*	6,29	5,98*	5,98*	4,96			
3,0	○○	6,33	4,30	3,22	4,46	3,06	2,30	3,43	2,34	1,76			
	┃┃	9,62*	8,00	6,00	7,31*	5,58	4,19	5,84*	4,29	3,21			
	┃┃┃	9,62*	9,62*	8,37	7,31*	7,31*	6,36	5,84*	5,84*	4,88			
1,5	○○	6,39	4,25	3,18	4,38	2,96	2,22	3,36	2,27	1,71	2,77	1,85	1,39
	┃┃	9,64*	8,17	6,13	7,08*	5,50	4,13	5,43*	4,21	3,16	4,30*	3,48	2,61
	┃┃┃	9,64*	9,64*	8,39	7,08*	7,08*	6,16	5,43*	5,43*	4,72	4,30*	4,3*	3,74
0,0	○○	6,48	4,26	3,20	4,35	2,91	2,19						
	┃┃	8,28*	8,28*	6,25	6,20*	5,49	4,12						
	┃┃┃	8,28*	8,28*	7,21	6,20*	6,20*	5,39						

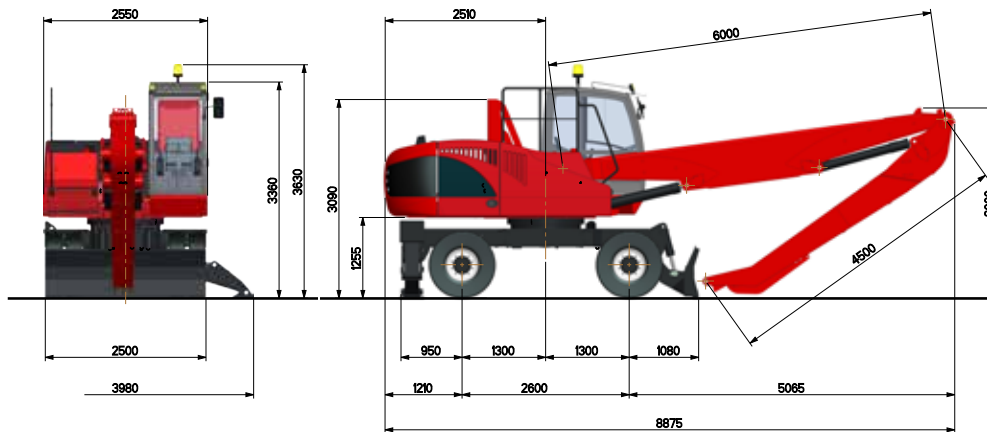
↗ LIFTING CAPACITIES ON LONGITUDINAL AXIS ○ LIFTING CAPACITIES ON 360° WITHOUT SAFETY FACTOR ⊙ LIFTING CAPACITIES ON 360° ACCORDING WITH ISO 10567  
 \*= HYDRAULIC LIMIT  
 LIFTING CAPACITIES ARE ON HOOK WITHOUT GRABS, MACHINE STATIC, LEVEL SOLID GROUND, WITH AXLE LOCKED.

## DIMENSIONS

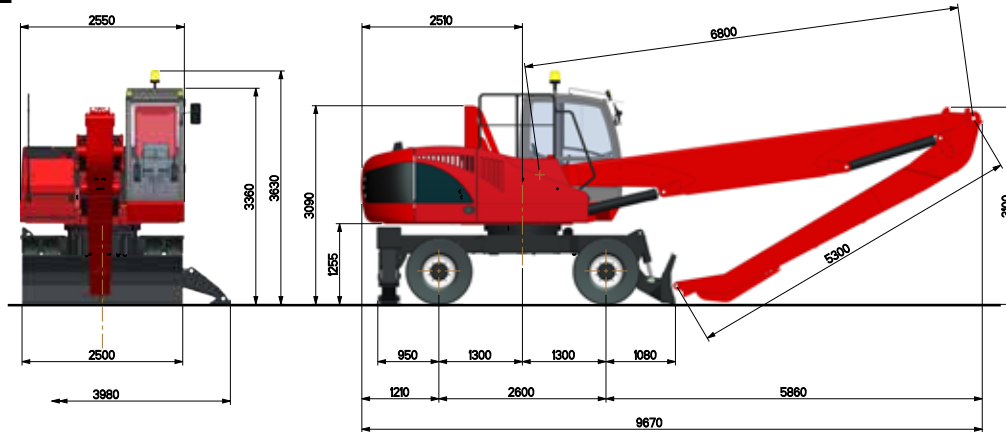
### AT8



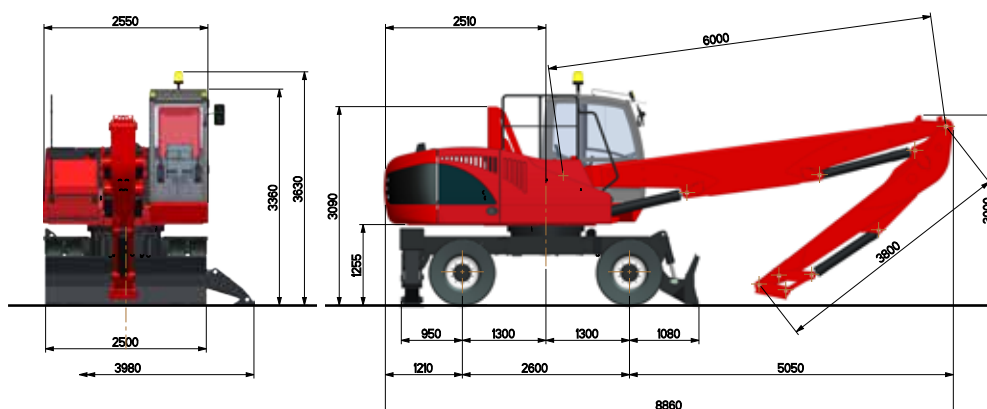
### DF10



### DF12



### DS10



**TECHNICAL DATA EXP 5025****DIESEL ENGINE**

TAD581VE – STAGE 5 – Ecological with SCR<sup>1</sup>, DPF<sup>2</sup>+DOC<sup>3</sup> and EGR<sup>4</sup> technology, with electronically controlled injection - 4 cylinders in-line - turbocharged with intercooler air/air - common rail - direct injection - water cooled - electric starting system 24 V.

Displacement	5130 cm <sup>3</sup>
Power:	129 kW (175 CV) @ 2000 rpm
Max torque:	800 Nm from 1100 to 1600 rpm
Tank capacity:	290 l
Urea tank:	25 l

**HYDRAULIC SYSTEM**

Open "LOAD SENSING" circuit (LUDV) constituted by a variable displacement axial pump, with automatic flow setting, 4 power levels setting, feeding a distributor block composed by 6 elements, with high pressure control valves and anti-choc valves on each element.

Max. flow:	350 l/min
Max. hydraulic pressure:	320 bar
Hydraulic tank capacity:	330 l
Hydraulic circuit capacity:	400 l

Additional pumps for auxiliary services.

Hydraulic oil cooling by means aluminium large mesh heat exchanger combined with engine and intercooler radiator. Automatic reversible fan for radiator cleaning.

LUDV system distributor block with simultaneous movements independent of the load and without interaction with synchronised control of all functions.

**TRAVEL**

Hydrostatic with 4 wheel drive by means of a variable displacement hydraulic axial piston motor mounted on a two speed gearbox hydraulically operated from the cab coupled to the rear axle

Travel controlled by two separate pedals (one for each travelling direction).

Travel speed (in both directions)

Working speed:	from 0 to 6 km/h
Travel speed:	from 0 to 18 km/h

Differential axles 2,50 m wide with planetary reduction gears on the hubs.

Braking valve integrated on the hydraulic motor.

**STEERING**

Hydraulic steering system powered by an independent pump. The front floating steering axle can be hydraulically locked from the cabin in any position.

**BRAKES**

SERVICE BRAKES: multiple discs oil immersed on the hubs, hydraulically operated by the pedal.

PARKING AND EMERGENCY BRAKES: hydraulically released disk-type brake mounted on driveshaft.

**TYRES**

n° 8 twinned solid rubber tyres 10.00x20 with spacer rings  
n° 8 twinned tyres 10.00x20 - 16P.R (as option).

**SWING SYSTEM**

Unlimited rotation in both directions by means of an axial piston hydraulic motor with integrated control valve, splined to a double stage reduction gear with oil bath gears. - Anti-shock valves protect the system. High diameter double row ball bearing ring with internal teeth. Automatic greasing system

Max rotation speed:	8 rpm
Overall dimensions of rotating turret:	2,54 m

**OPERATOR'S CAB**

Hydraulically operated raising driver's cab mounted on a parallelogram linkage installed on silent block with large windows of tinted heat resistant safety glass; front sliding window, and lateral opening window, upper glass with safety grill. Winter heating and air conditioned installed as standard. Radio preset. Double windscreen wiper with washer.

"GRAN COMFORT" operator's seat with shock absorbing suspension, headrest, lumbar support, belt winder, electric seat heating device and armrests adjustable height and angle. Many possibilities of adjustment according to operator's weight and size with joysticks incorporated in its arms. AUTO-IDLE electronic accelerator with two automatic preselected rpm. The instrumentation, consisting of a color display on the dashboard, indicates includes: Engine speed indicator, fuel level, water thermometer, hour counter, hydraulic oil temperature, Volt, oil engine pressure, fuel consumption, load rate of the engine, engine diagnostics, and maintenance program. Warning lights showing: air cleaner and oil filter clogging, park brake, low fuel, brakes failure, lights, hydraulic oil low level.

**CONTROLS**

N° 2 electronic controlled joysticks to carry out four operations each with electric pushbuttons incorporated.

Electronics proportional rollers for front blade a/o outriggers and telescopic/selector arm. Electric button for grab rotator. Electro hydraulic devices for controlling hydraulic raising of the cab, parking brakes, front axle oscillation lock, gear box.

**ARMS**

With reach from 8 to 12 metres.

**SOUND LEVELS**

SOUND LEVELS (EEC Directive 2000/14/CE - 2005/88/CE)  
Inside cab LpA 76 dB (A)

**ELECTROMAGNETIC COMPATIBILITY**

In accordance with CE Directive (Dir. 2014/30/CE)

**OVERLOAD WARNING DEVICE**

In accordance with CE directive (Dir 2006/42/CE) this device provides to check the crane stability while loading in accordance with loads and distances (as standard). When the stability limits are reached, acoustical and optical warning advise danger conditions before the automatic lock of movements.

(1) SCR = Selective Catalytic Reaction  
(3) DOC= Diesel Oxidation Catalyst

(2) DPF = Diesel Particulate Filter  
(4) EGR = Exhaust Gas Recirculation



Viale delle industrie, 9  
45100 ROVIGO - ITALY  
phone +39 0425 474833  
fax +39 0425 475548  
[www.solmec.it](http://www.solmec.it)  
[solmec@solmec.it](mailto:solmec@solmec.it)